

<THESE INSTRUCTIONS MUST BE GIVEN TO THE END USER>

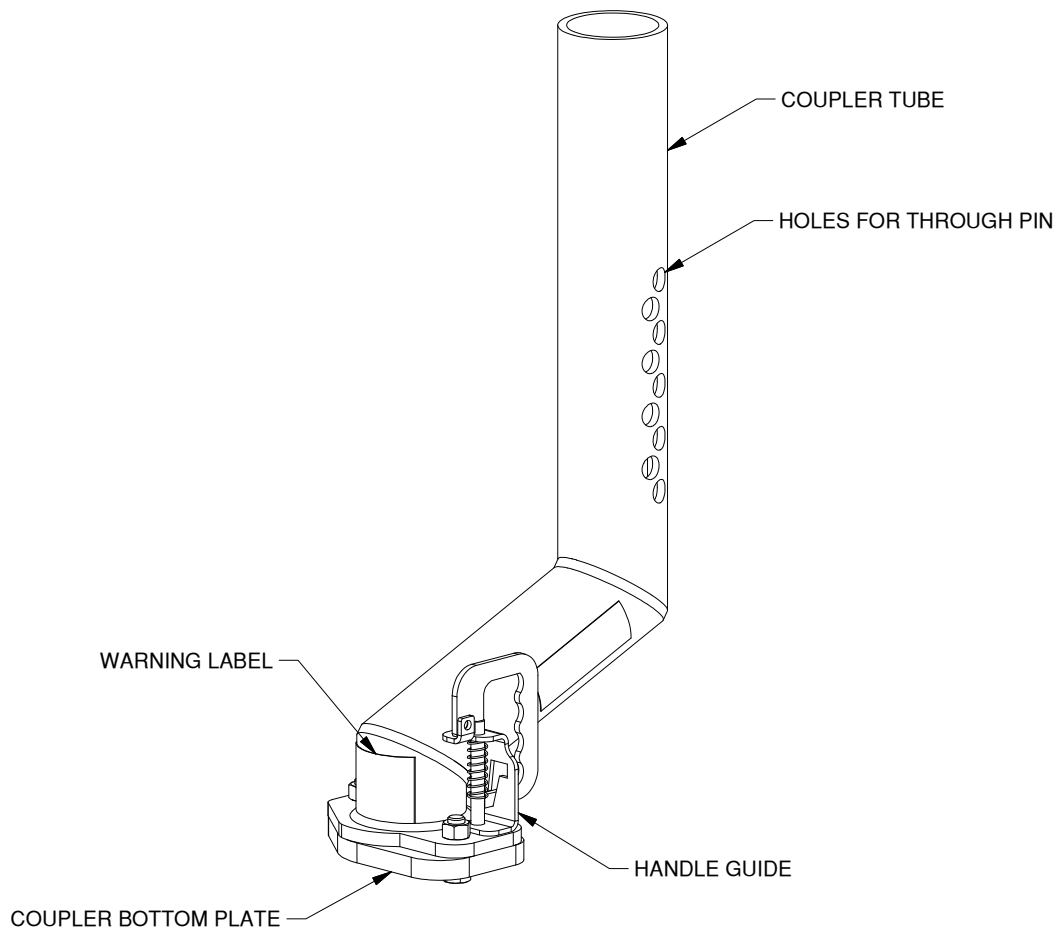
B&W Trailer Hitches



Gooseneck Coupler Installation Instructions

MODEL TEXA4200

Extend-A-Goose™



⚠ WARNING

Failure to comply with the safety information in these instructions could result in serious injury or death.

- ⚠** Read all installation and operating instructions along with all labels before using this product.
- ⚠** Without proper knowledge, towing can be a dangerous activity. Understand all the risks involved with towing before proceeding. For information on towing safety, see **"The Trailer Handbook: A guide to Understanding Trailer and Towing Safety"**
- ⚠** Do not exceed tow or tongue rating of coupler, tow or tongue rating of hitch, or tow or weight ratings of truck or trailer. See vehicle and trailer manufacturer information for ratings. Exceeding these ratings may cause damage to towing components or loss of attachment between the trailer and truck.
- ⚠** Do not modify this product in any manner. Doing so could alter its integrity and lead to a loss of attachment between the trailer and the tow vehicle.

INSTALLING THE COUPLER

⚠ The installation of the Extend-A-Goose coupler requires two people. One person will need to hold the coupler in place while the other secures it to the trailer. Failure to support the coupler properly during installation may result in minor injury, or may cause damage to the coupler.

1. Measure your trailer hitch ball and the inside diameter of the sleeve on the trailer tongue to determine whether or not the Extend-A-Goose coupler is compatible with your hitch and trailer.

⚠ The coupler must only be used with a hitch equipped with a 2-5/16" ball measuring between 2.283" to 2.313", and a trailer equipped with a conventional 4" inside diameter round sleeve. The sleeve must either have two set bolts, or have at least one set bolt and a safety through pin. Failure to use the proper towing equipment may result in serious injury or death.

2. With the trailer jacks adjusted so the trailer is in its optimum towing position, determine the distance between the bottom of the trailer sleeve and where the bottom of the coupler will be when coupled to the ball. See figure A5. Mark this position on the coupler.

⚠ Installing the Extend-A-Goose with more than 6" of the coupler tube exposed past the end of the coupler sleeve could result in serious injury, or death, See figure A1

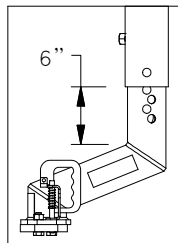


FIGURE A1: Extend-A-Goose coupler

3. With the handle toward the driver's side of the truck, insert the Extend-A-Goose coupler tube into the trailer sleeve to the position determined in step 2. Lower the coupler to align the trailer sleeve hole (if so equipped) with the nearest coupler tube through pin hole, and secure by installing the safety through pin and cotter. Torque the trailer sleeve set bolts to 125 ft. lbs.

⚠ Failure to torque set bolts, and/or failure to install cotter on safety through pin, could result in serious injury or death.

The Extend-A-Goose is designed to align with the trailer on trailer sleeves through hole at a 75° or 90° angle with the centerline of the trailer.

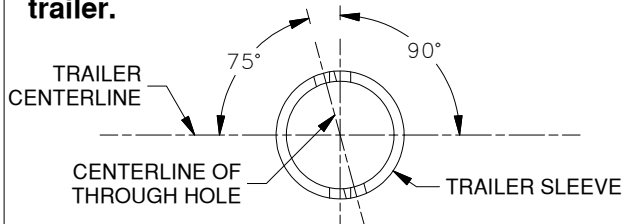


FIGURE A2: Trailer sleeve hole orientation.

⚠ The centerline of the Extend-A-Goose coupler must be installed in line with the direction of travel. Failure to install the coupler properly could result in serious injury or death.

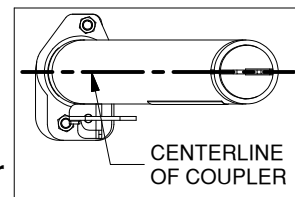


FIGURE A3: Top view of coupler.

⚠ B&W recommends that you check the clearance between the truck cab and the trailer. Compare the measurement taken from the center of the 2-5/16" ball to the cab, to the measurement taken from the center of the coupler to the farthest forward corner point of the trailer. These measurements will allow you to see how much clearance you will have between the cab and the trailer while towing and turning.

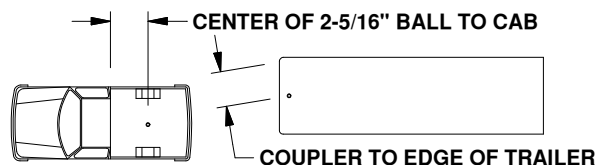


Figure A4: Truck and trailer diagram

⚠ B&W also recommends that you check the clearance between the bed side and the underside of the front of the trailer and to allow adequate clearance for the pitch and roll of the trailer while towing.

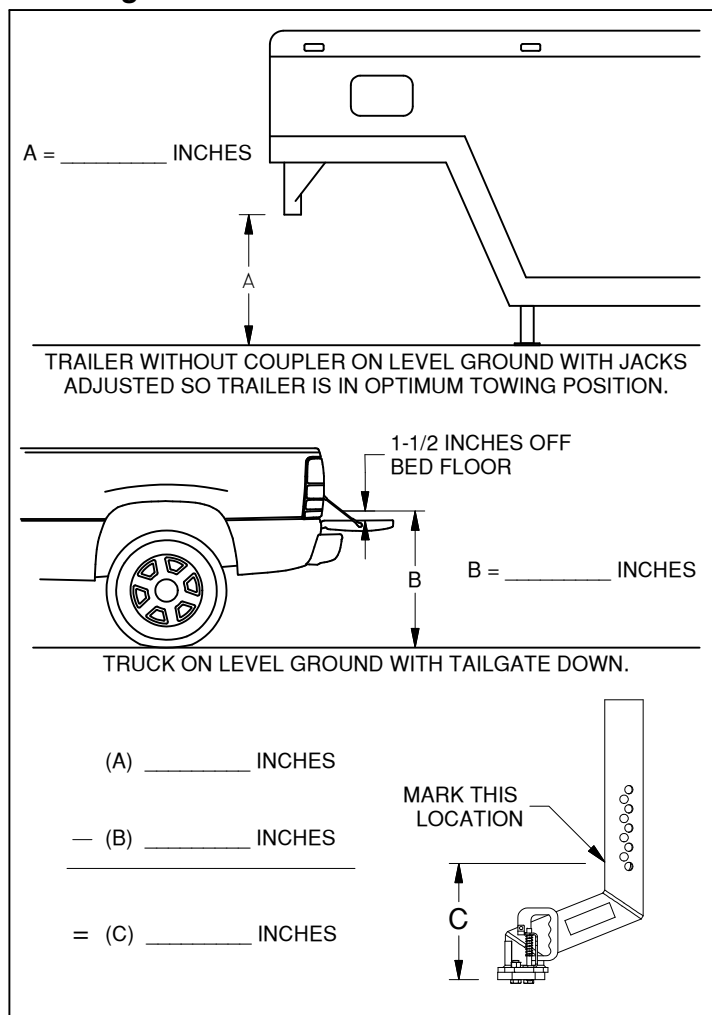


FIGURE A5: Coupler height determination.

COUPLING TO A TRAILER

- ⚠ Always use safety chains. Failure to use safety chains could result in serious injury or death.**
- ⚠ Inspect all towing components before towing, including hitch, coupler, trailer, and safety chain system for structural damage. Towing with damaged equipment could result in serious injury or death.**
- 1. Set the coupler to the "open" position. To do this, (1) grip the handle and pull straight up about 1", (2) rotate the handle clockwise until it stops, then release. (3) Rotate the coupler bottom plate counter-clockwise until it stops. See figure B1.
- ⚠ Attempting to couple with the coupler in the closed position will prevent the coupler from accepting the ball. If coupling is attempted, the ball may appear to be coupled when it is not, and could result in serious injury or death.**
- 2. Maneuver the truck so that the 2-5/16" gooseneck ball is under the Extend-A-Goose. The center of the ball must be within 1-1/2" of the center of the base of the coupler.

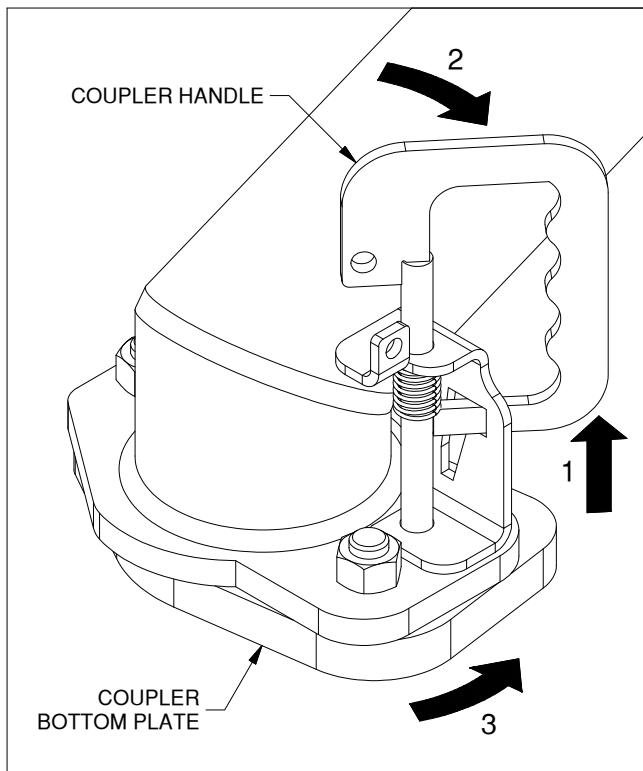


FIGURE B1: Coupler in "open" position

- ⚠ Keep at least 6" around the coupler free from obstructions and loose objects during towing. Failure to do so could result in a loss of attachment between the truck and the trailer, serious injury or death.**
- 4. Slowly lower the trailer onto the ball. When the ball is fully engaged in the coupler, set the coupler to the "closed" position. (1) To do this grip the handle and rotate it counter clockwise. (2) Rotate the coupler bottom plate clockwise until the latch pin is through the coupler bottom plate and the handle is flat against the bottom of the handle guide. See figure B2.
- ⚠ Ensure the ball is fully in the coupler cavity and the handle of the coupler is in the "closed" position before towing. Failure to do so could result in a loss of attachment between the truck and the trailer, serious injury or death.**
- 5. If desired, it is possible to lock the Extend-A-Goose for added security. With the coupler handle in the "closed" position, use a padlock in the area noted in Figure B2.

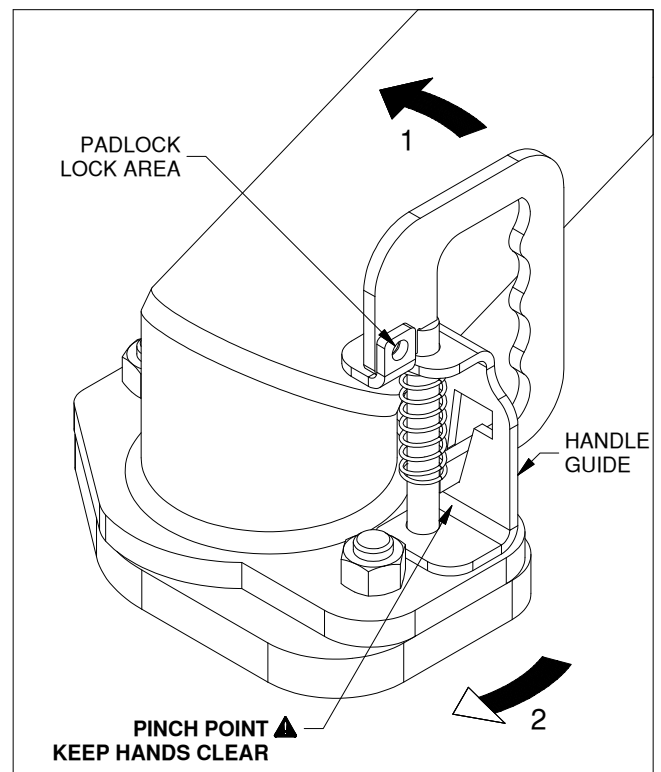


FIGURE B2: Coupler in "closed" position

UNCOUPLING FROM A TRAILER

1. Unlock the coupler. If necessary remove any padlocks that may be attached to the coupler handle.
2. Set the coupler to the "open" position. To do this, (1) grip the handle and pull straight up about 1", (2) rotate the handle clockwise until it stops, then release. (3) Rotate the coupler bottom plate counter-clockwise until it stops. See figure B1.

⚠ Attempting to uncouple with the coupler in the closed position will prevent the coupler from releasing the ball. If uncoupling is attempted the trailer jacks may begin to "lift" the truck. This could result in significant property damage.

3. Slowly raise the coupler off of the ball.

⚠ Use caution when jacking the trailer up and raising the coupler off of the ball. The trailer and truck may shift abruptly when they become disconnected, this may cause physical injury.

CARE AND MAINTENANCE

Keep the coupler clean, store it out of the weather, and avoid corrosive environments to maintain peak performance.

Keep your coupler operating freely by occasionally applying lubricant to the coupler and latch assembly.